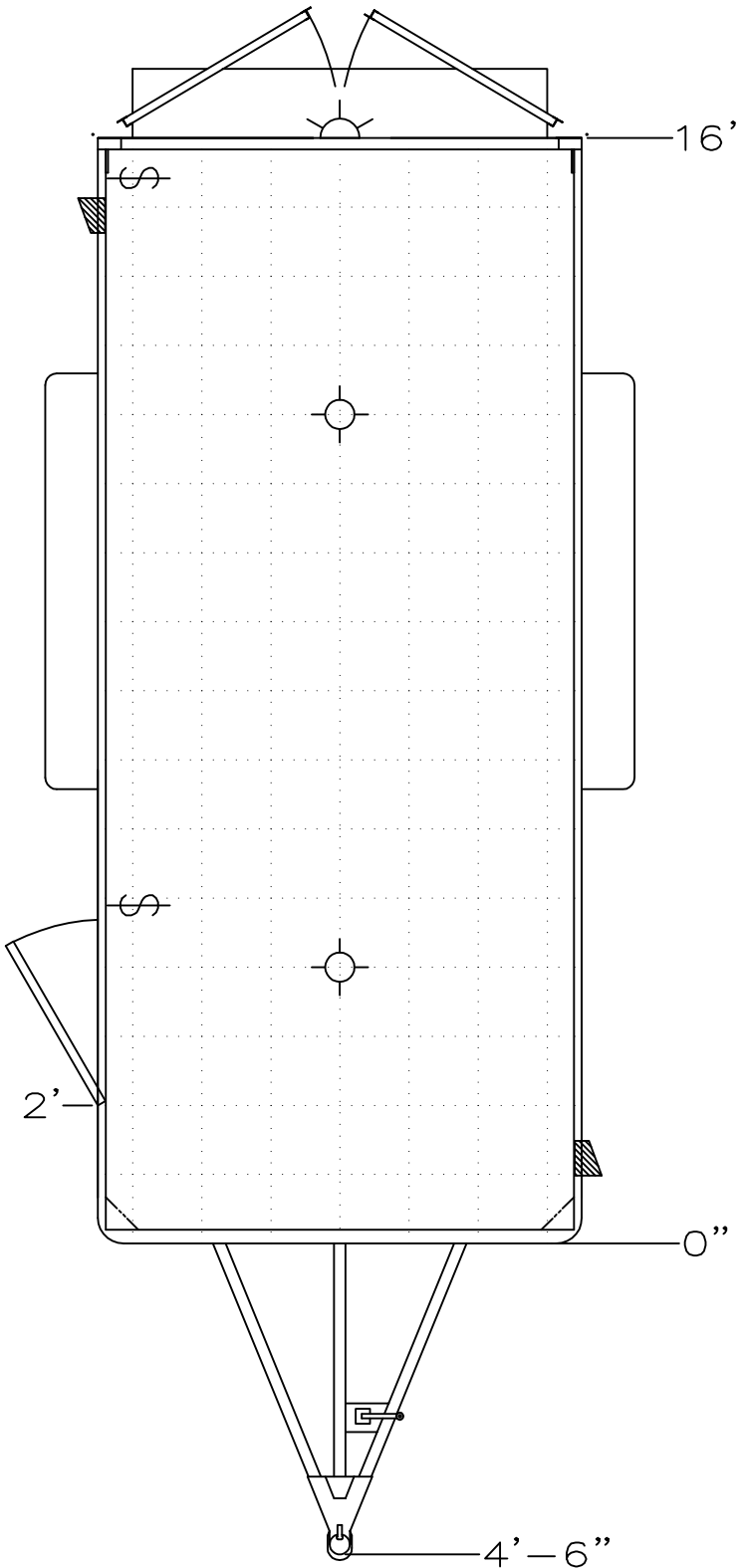



CUSTOMER:

DATE:

MODEL: TM716TA3



KEY:

NOTES	12 VOLT ELECTRICAL	110 VOLT ELECTRICAL	ROOF VENTS	X - D RING E - E TRACK T - TIRE T/C - TIRE COMPARTMENT	<p>PROPRIETARY AND CONFIDENTIAL</p> <p>THE INFORMATION CONTAINED IN THIS DRAWING IS THE SOLE PROPERTY OF BRAVO TRAILERS LLC. NO PART OR AS A WHOLE WITHOUT THE WRITTEN PERMISSION OF BRAVO TRAILERS LLC IS PROHIBITED.</p> 
	<ul style="list-style-type: none"> ○ - STANDARD LED DOME LIGHT ⊕ - 4" ROUND LED DOME LIGHT ⌒ - LOADING LIGHT ⌘ - WALL SWITCH 	<ul style="list-style-type: none"> □ - PANEL △ - MOTOR BASE PLUG ⌘ - WALL SWITCH ⊗ - USB RECEPT ○ - 15 AMP RECEPT ● - 20 AMP RECEPT ⊖ - GFI RECEPT 	<ul style="list-style-type: none"> □ (N/P) - N/P N/P = NON POWERED 12V = 12 VOLT POWERED 110V = 110 VOLT POWERED A/C = AIR CONDITIONER W/F = WIRE & FRAME 		