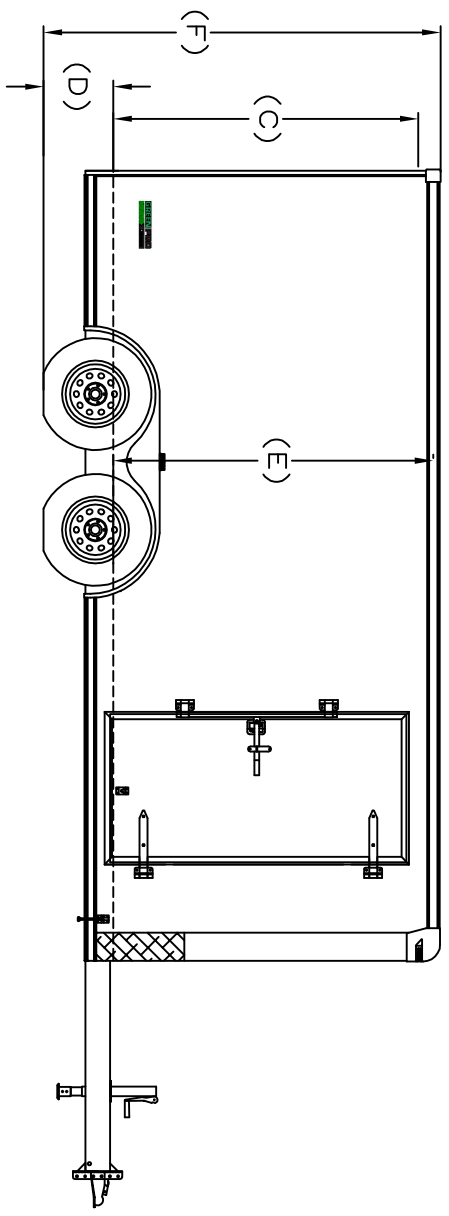


OUTSIDE BOX LENGTH: (A)	INSIDE BOX LENGTH: (B)
16'-0"	15'-8"



T A 2 AXLE TYPE	LOADING HEIGHT (D)
SPRING	20"
T A 3 AXLE TYPE	LOADING HEIGHT (D)
SPRING	21"

GreenPRO SPECS	REAR DOOR OPENING (C)	INT HEIGHT: (E)	OVERALL HEIGHT: (F)
STD HEIGHT	6'-0"	6'-7"	8'-6"
6" PLUS HEIGHT	6'-6"	7'-1"	9'-0"
12" PLUS HEIGHT	7'-0"	7'-7"	9'-6"

DATE: 03/31/2012
 MODEL: GP716TA



19319 COUNTY ROAD 8, BRISTOL, IN 46507
 PHONE: 574.848.7500 - FAX: 574.848.7550